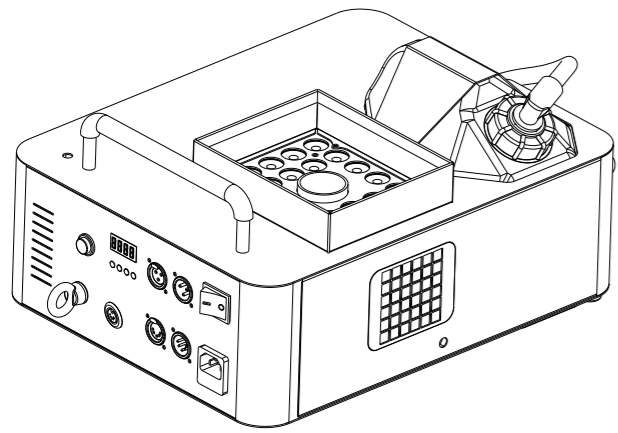


THRILL Vertical Fogger



User Guide



WARNING!

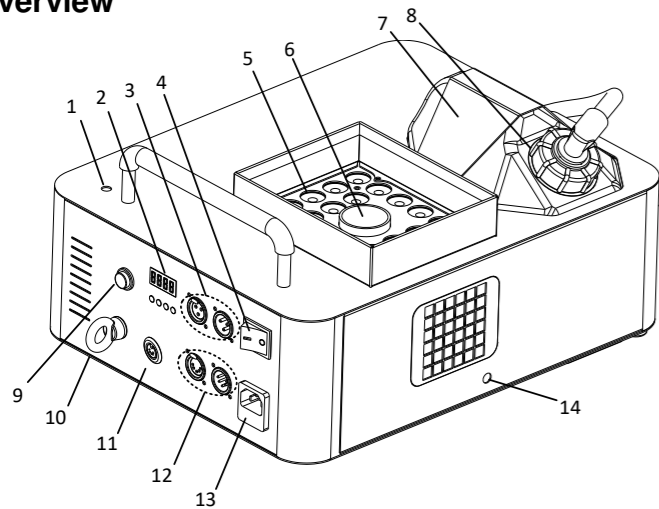
Read the safety precautions in the Safety and Installation Guide before installing or using this product.

Introduction

Congratulations on your purchase of this Martin atmospheric effect machine. The THRILL Vertical Fogger combines brilliant color-mixing LEDs with powerful fog output to produce stunning atmospheric effects. Its flexible rigging and control options make it well suited for a wide range of applications.

This guide describes how to operate and maintain the product. Read the Safety and Installation Guide before using the product.

Overview



- | | |
|-----------------------------|----------------------------------|
| 1 Eye-bolt attachment point | 8 Fluid tank filler cap |
| 2 User Interface | 9 Pushbutton |
| 3 3-pin XLR DMX sockets | 10 Safety cable attachment point |
| 4 Power switch | 11 Remote control socket |
| 5 LEDs | 12 5-pin XLR DMX sockets |
| 6 Fog output nozzle | 13 AC power input / fuse holder |
| 7 Fluid tank bracket | 14 Bracket attachment point |

Filling the fluid tank



Warning! Use only fog fluids specifically approved for this machine.

Important! Monitor the fluid level frequently. Do not run the machine without fluid, or you may damage the machine.

Fill the fluid tank only with approved fog fluid. Other fluids may damage the machine or cause the release of toxic gases, presenting a severe health hazard.

Always keep the fluid below the level of the filler cap. See the Safety and Installation Guide to flip the fluid tank for upside-down operation from a truss.

To fill the fluid tank:

1. Check that the effect machine is turned off.
2. Remove the filler cap.
3. Use a funnel to fill the fluid tank with approved fog fluid. Do not overfill.
4. Replace the filler cap, making sure that the feed hose touches the bottom of the fluid tank.
5. Wipe up any spills or drips before turning on the machine.

User settings

Using the control menu

To access the control menu, press the MENU button. Scroll through the menu options using the ▼ (down) and ▲ (up) buttons. Press ENTER to select an option. To return to a higher level in the menu without making a change, press MENU. To exit the control menu, press and hold MENU.

Control menu

Menu	Sub-menu	Explanation
<i>Addr</i>	<i>1-506</i>	Set DMX address
<i>COLD</i>	<i>CH 1-CH 4</i>	Remote control button 1-4
	<i>0</i>	No light
	<i>1-36</i>	Premixed color 1-36
	<i>rRand</i>	Random color
<i>di SP</i>	<i>Invt</i>	Inverted/normal display
	<i>On/OFF</i>	
<i>MANU</i>	<i>Stro</i>	0-255 Set strobe value
	<i>dI</i>	0-255 Set dimmer value
	<i>rEd</i>	0-255 Set red LED value
	<i>GrEE</i>	0-255 Set green LED value
	<i>bLUE</i>	0-255 Set blue LED value
	<i>COOR</i>	0-255 Set premixed color value
<i>PbUt</i>	<i>on/off</i>	Enable/disable pushbutton
<i>tEst</i>	<i>on/off</i>	Run test of all effects
<i>uEr</i>		Readout firmware version
<i>rSt</i>	<i>on/off</i>	Reset all settings to default values

DMX address

A DMX controller uses 7 DMX channels to control the THRILL Vertical Fogger. The DMX address is the first channel used. If the Vertical Fogger's DMX address is set to 25, then the controller sends DMX commands on channels 25 - 31. DMX channel 25 on the controller corresponds to DMX channel 1 on the THRILL Vertical Fogger.

For independent control, each Vertical Fogger must have its own unique control channels. Two or more Vertical Foggers may be

set to the same address and share control channels for diagnostic purposes or if symmetric control is desired.

To set the DMX address:

1. Press MENU to enter the control menu.
2. Press ▲ or ▼ to scroll to *Addr*. Press ENTER.
3. Scroll to an address from 1 to 506.
4. Press ENTER to save the address setting.

Manual settings

The THRILL Vertical Fogger has a pushbutton that releases fog and activates the LEDs with the settings programmed for remote control channel 1. The button can be disabled to prevent unintended firing.

To enable or disable the manual pushbutton:

1. Press MENU to enter the control menu.
2. Press ▲ or ▼ to scroll to *PbUt*. Press ENTER.
3. Select *on* to enable the button, or *off* to disable it.
4. Press ENTER to save the setting.

The LEDs can also be controlled from the control panel. The settings are retained until the effect machine is operated by remote control or DMX, or is turned off.

To set the LEDs manually:

1. Press MENU to enter the control menu.
2. Press ▲ or ▼ to scroll to *MANU*. Press ENTER.
3. Select an effect to set: strobe (*Stro*), dimmer (*dI*), red (*rEd*), green (*GrEE*), blue (*bLUE*), or premixed colors (*COOR*). Press ENTER.
4. Referring to the DMX commands below, scroll to the value from 0 to 255 that gives the desired look.
5. Press ENTER to save the setting.
6. Repeat steps 3-5 for each desired effect.

Remote control settings

Pressing a button on the remote control releases fog and lights the LEDs with a programmed or random color. The pushbutton uses the color programmed for button 1.

To program a color for each button:

1. Press MENU to enter the control menu.
2. Scroll to *COLD*. Press ENTER.
3. Scroll to *CH 1*. Press ENTER.
4. Select *0* to select no light, a number from *1* to *36* to select a premixed color, or *rRand* for a random color.
5. Press ENTER to save the options for button 1.
6. Repeat steps 3-5 to program buttons 2, 3, and 4.

Display setting

The *Invt* setting under *di SP* flips the display for easier reading.

Note that the display automatically enters sleep mode after a short period if no buttons are pressed. Pressing any button reactivates the display.

DMX operation

DMX operation provides access to the full range of features provided by the THRILL Vertical Fogger. The effect machine can be operated using any DMX compliant controller. Both 3-pin and 5-pin sockets are provided for data connection.

DMX control features

Fog

Fog output is controlled on channel 1. Output is either on or off. To prevent damage to the pump, monitor fluid level. Do not run the pump without fluid.

Strobe effects

A variable strobe effect is available on channel 2 along with pulse effects and random flash. Select one of the "open" values for steady light. At values from 0-7, the LEDs are off.

Dimming

The intensity of the light is controlled on channel 3 and increases with fader level.

Custom color mixing

The LEDs are individually controllable on channels 4, 5, and 6, allowing you to mix them in any combination. The amount of each color in the mix increases with fader level. To use custom color mixing, the premixed color function on channel 7 must be off.

Premixed colors

Channel 7 provides a "color wheel" effect with 36 premixed colors. You can also scroll continuously up or down through the colors or select random colors at slow, medium, or fast speeds. When selected, premixed colors override custom colors.

DMX commands

Ch.	Value	Function
1	0-127	Fog Fog output off
	128-255	Fog output on
2	0-7	Strobe Effects Light off (blackout)
	8-15	Light on (no flash)
	16-131	Strobe, slow to fast
	132-139	Light on
	140-181	Pulse effect, fast close/slow open
	182-189	Light on
	190-231	Pulse effect, fast open/slow close
	232-239	Light on
240-247	Random strobe	
248-255	Open	
3	0-255	Dimmer Dimmer intensity, 0-100%
		Red Red intensity, 0-100%
4	0-255	Green Green intensity, 0-100%
		Blue Blue intensity, 0-100%
7	0-10	Premixed Colors No premixed color
	11-190	Stepped scroll, colors 1-36
	191-192	No premixed color
	193-214	Continuous scroll, increasing, fast to slow
	215-221	Scroll stop
	222-243	Continuous scroll, decreasing, slow to fast
	244-247	Random color, fast
	248-251	Random color, medium
252-255	Random color, slow	

Getting started

1. Connect the Vertical Fogger effect machine to the controller as described in the Safety and Installation Guide.
2. At the controller, assign a DMX address to the machine.
3. Use the machine's control panel to set the same DMX address on the machine (see 'User Settings').
4. Check that the machine has fluid, is ready (*AdSp* is displayed on control panel), and can safely be triggered.
5. Trigger the machine's effects from the controller.
6. Monitor the fluid level. Refill the tank when low to avoid running the pump dry. *A flashing display indicates an empty fluid tank. Do not release fog until you have refilled the tank.*
7. When finished, turn off the machine and allow it to cool before handling. The nozzle remains hot for three hours.

Remote control operation

The THRILL Vertical Fogger comes with a 4-button wireless remote control with a range of 30 meters (100 feet). The 4 buttons can be used to trigger different combinations of fog and light. There are two parts: a transmitter and a receiver. Some transmitters may require a plastic insulator to be removed from the battery prior to use.



The receiver connects to the remote control socket on the machine and has a magnet on the back for attachment. The receiver's red LED indicates the machine is heating; when it goes off, the machine is ready to use.

- Remote control operation is disabled when the effect machine is controlled by DMX.
- The green LED and DIP switch on the receiver are not used.
- The remote control system looks similar to system used for the Martin RUSH SM 650 and RUSH SM 850, but components are not compatible. Unexpected results will occur if used in proximity to each other.

Getting started

1. Fill the fluid tank as directed above.
2. Connect the remote control receiver to the machine as described in the Safety and Installation Guide and apply power.
3. Install a battery in the transmitter as described below.
4. Use the control panel to program the remote control buttons as described under 'User Settings'.
5. Check that the machine has fluid and is ready (**Addr** is displayed on control panel and the red LED on the receiver is off). Also check that the machine can safely be triggered.
6. Press any button on the remote control transmitter until fog is released. Once the system has been primed, fog will be released instantly.
7. Press buttons on the remote control to trigger different looks.
8. Monitor the fluid level. Refill the tank when low to avoid running the pump dry. *A flashing display indicates an empty fluid tank. Do not release fog until you have refilled the tank.*
9. When finished, turn off the machine and allow it to cool before handling. The nozzle remains hot for three hours.

Installing the wireless remote control battery

The remote control transmitter uses a single 12-volt A23 (MN27) alkaline battery. To install or replace the battery:

1. Remove the screws from the back cover of the remote control. Remove the back cover.
2. If replacing, remove the old battery.
3. Insert fresh battery with negative terminal towards the spring.
4. Align the covers and replace the screw to close.

Manual operation

The effect machine can be operated manually simply by pressing the pushbutton. The color can be selected by programming

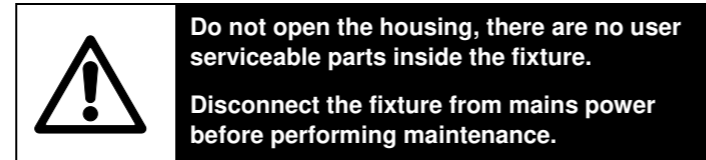
remote control button 1. In addition, the LEDs can be manually programmed to light with the options in the **PRNU** menu. See 'Manual Settings' for options.

Before releasing fog, verify that the machine has fluid, is ready (**Addr** is displayed on control panel), and can safely be triggered.

Monitor the fluid level. Refill the tank when low to avoid running the pump dry. *A flashing display indicates an empty fluid tank. Do not release fog until you have refilled the tank.*

When finished, turn off the machine and allow it to cool before handling. The nozzle remains hot for three hours.

Maintenance



The user may carry out the maintenance operations described below. Do not attempt to repair a defective fixture. Refer all service to your Martin dealer or contact Martin directly for technical support through www.martin.com/contact-support.

Allow the fog output nozzle to cool completely before cleaning or servicing the effect machine. The nozzle remains hot for up to 3 hours after use.

Service the machine in a well-ventilated area where there is no risk of injury from failing parts, tools or other materials.

Cleaning

Excessive dust, fog fluid, and particle buildup degrades performance, causes overheating and will damage the effect machine. Damage caused by inadequate cleaning or maintenance is not covered by the product warranty.

Inspect effect machines within their first 100 hours of operation to see whether cleaning is necessary. Check again at frequent intervals. This procedure will allow you to assess cleaning requirements in your particular situation.

Use gentle pressure only when cleaning, and work in a clean, well-lit area. Do not use any product that contains solvents or abrasives, as these can cause surface damage.

To clean the effect machine, vacuum or gently blow away dust and loose particles from the outside of the effect machine with low-pressure compressed air. Clean the surfaces by wiping gently with a soft, clean lint-free cloth moistened with a weak detergent solution. Check that the effect machine is dry before reapplying power.

Fluid system maintenance

Specially designed for optimum performance while providing longevity of the fluid system and heat exchanger, Martin Pro-Clean and Storage Fluid is the ultimate cleaning solution for Martin atmospheric effect machines. Using Martin Pro-Clean and Storage Fluid in the THRILL Vertical Fogger on a regular basis reduces clogging and extends its life.

Use Martin Pro-Clean and Storage Fluid at least once every 90 days. For best results, use it every 30 days or 200 hours of operation, whichever comes first.

Perform fluid system maintenance in a well-ventilated area as follows:

1. If there is fluid in the tank, run the machine until the fluid tank is nearly empty, but not completely dry.
2. Turn off the machine, allow it to cool, and disconnect from AC power.
3. Fill the fluid tank with Martin Pro-Clean and Storage Fluid as directed.
4. Reapply power and allow the machine to heat up.
5. Run the fluid through the system by operating the machine

6. Refill the fluid tank with an approved fog fluid prior to use.

Preparing for storage

If storing the machine for an extended period of 30 days or more, clean the fluid system as described above. Do not refill the fluid tank until you are ready to use the machine again.

Replacing the primary fuse

If the fixture is completely dead, the primary fuse may have blown and it may be necessary to install a new fuse. Replace with a fuse of the same size and specified rating only. A spare fuse is located in the fuse holder, located directly below the AC input.

Troubleshooting

This section describes remedies for some possible problems.

Symptom	Potential cause	Remedies
Fixture appears dead	No power at AC cable inlet	Check power cable and circuit breaker
	Fuse blown	Check and replace fuse with one of same type and rating
Fog output is weak	Fixture requires priming	Press and hold the pushbutton until output is strong
Wet, greasy, non-uniform output, fluid drips or spits from nozzle, or loud noise when firing machine	Incompatible fog fluid	Discard fluid. Perform fluid system maintenance.
	Clogged fluid line	Perform fluid system maintenance
No fog output	Machine not ready	Allow machine several minutes to heat up
	Fluid level low	Add fluid
	Hose too high	Check that fluid hose reaches bottom of fluid tank
	Wireless remote control out of range	Move closer to effect machine
No light output	Wireless remote control battery exhausted	Replace battery
	Dimmer channel value too low	Increase dimming level on channel 3
Fixture does not respond to DMX control	Fault in the DMX network due to connector or cable damage, incorrect DMX addressing, or potential interference from proximity to a high voltage installation.	Verify that DMX address matches address set on DMX control device Check DMX cables and connections. Ensure that DMX link is terminated Move or shield link if it is close to an unshielded high-voltage installation

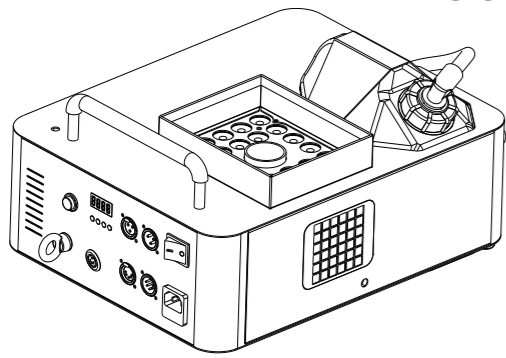
Information subject to change without notice. HARMAN Professional Denmark ApS disclaims liability for any injury, damage, direct or indirect loss, consequential or economic loss or any other loss occasioned by the use of, inability to use or reliance on the information contained in this document.

©2017 HARMAN Professional Denmark ApS. All rights reserved. Martin® is a registered trademark of HARMAN Professional Denmark ApS registered in the United States and/or other countries. Features, specifications, and appearance are subject to change without notice.

HARMAN Professional Denmark ApS
Olof Palmes Allé 18 • 8200 Aarhus N • Denmark
www.martin.com

Document revision: B

THRILL Vertical Fogger



Safety and Installation Guide

Martin
by HARMAN



WARNING!

Read the safety precautions in this guide before installing or using this product.

Introduction

Congratulations on your purchase of this THRILL by Martin atmospheric effect machine. The THRILL Vertical Fogger combines brilliant color-mixing LEDs with powerful fog output to produce stunning atmospheric effects. Its flexible rigging and control options make it well suited for a wide range of applications.

This guide contains important safety and installation information. For operating instructions, see the THRILL Vertical Fogger User Guide. For the full range of Martin products visit our website at www.martin.com.

Features at a glance

- 480 m³ (17,000 ft³) per minute fog output
- Brilliant RGB color-mixing, 21 long-life LEDs
- 7-channel DMX and 4-channel wireless remote control
- Flexible installation, creates effects at almost any angle

The THRILL Vertical Fogger is supplied with this safety and installation guide, a user guide, a wireless remote control, a mounting bracket, and a power cable.

Before installing and using the Vertical Fogger:

1. Read the safety information in this guide.
2. Unpack the Vertical Fogger and ensure that there is no transportation damage. Do not attempt to operate a damaged machine.
3. Ensure that your AC voltage and frequency match the power requirements of the device.
4. Ensure that you have the specified RUSH Fog Fluid,
5. Check the Martin Professional website at www.martin.com for the most recent product documentation and technical information. Martin document revisions are identified by the revision letter below the legal notices at the end of this guide.

Safety information

The following symbols identify important safety information:



Warning!
Safety hazard. Risk of severe injury or death.



Warning!
See user manual for important safety information.



Warning!
Hazardous voltage. Risk of lethal electric shock.



Warning!
Hot surfaces.



Warning!
Fire hazard.



This device presents risks of severe injury or death due to fire hazards, electric shock, falls, and respiratory problems. Its emissions may create a fire hazard or cause severe injury if safety precautions are not followed. It is Exempt Group (RG 0) per EN 62471, where no optical hazard is considered reasonably foreseeable, even for continuous, unrestricted use.

Install, operate and service this product only as directed, or you may create a safety hazard or cause damage that is not covered by product warranties.



Follow the safety precautions below and observe all warnings on the product. Keep this information for future reference.

For the latest user documentation and information about this and other Martin products, visit our website at www.martin.com.

Respect all locally applicable laws, codes and regulations when installing, operating or servicing the product.

Protection from electric shock



Do not expose the product to water or moisture. Disconnect the product from AC power before carrying out installation or maintenance and when not in use.

Ensure that the product is electrically connected to ground (earth).

Use only a source of AC power that complies with local building and electrical codes and has both overload and ground-fault (earth-fault) protection.

Replace blown fuses with ones of the specified type and rating. Stop using the product if the problem persists.

Isolate the product from power immediately if the power plug or any seal, cover, hose, or other component is damaged, defective, deformed, wet or showing signs of overheating. Do not reapply power until the problem is corrected.

Before connecting the product to power, check that all power distribution equipment and cables are undamaged and rated for the electrical requirements of all connected products.

Protection from burns and fire



Do not operate the product if the ambient temperature (T_a) exceeds 40° C (104° F).

The product casing and fog output nozzle can become hot during operation. Avoid contact by persons and materials.



Do not touch the output nozzle during or after use – it becomes extremely hot, up to 300° C (572° F), and could cause burns or pose a risk to flammable materials for up to three hours after the machine has been shut down. The nozzle cools slowly - Do not cover or pack the machine away until the nozzle temperature has been reduced. Allow the machine to cool for at least 15 minutes before handling.

Provide a minimum free space of 600 mm (24 in.) around the machine, and ensure free and unobstructed air flow to and around the machine, including air vents and fans.

Keep the machine at least 600 mm (24 in.) away from people, combustible and heat-sensitive materials.

Do not point fog output at people and objects less than 5 m (16.4 ft.) away from the output nozzle. This figure can be reduced to 2 m (6.6 ft.) when the machine is pointed vertically up only.

If a fault occurs, the machine can produce streams or excessive droplets of hot fluid that could burn persons or damage materials. If these conditions are noticed, unplug and stop using the machine immediately and contact Martin Professional for service.

Do not install the machine such that hot fluid droplets could fall or be projected onto people or objects and materials that are sensitive (including heat-sensitive) or combustible.

Protection from injury

Do not attempt to repair a defective product or modify the product in any way. LEDs are not user-replaceable. Refer all service to your Martin dealer or contact Martin directly for technical support through www.martin.com/contact-support.

Ensure that any supporting structure and/or hardware used can hold at least 10 times the weight of all the devices they support and complies with locally applicable regulations.

To suspend the effect machine from a rigging structure, use a suitable rigging clamp. Do not use safety cables as the primary means of support.

If the product is installed in a location where it may cause injury or damage if it falls, install as directed a secondary attachment such as a safety cable that will hold the machine if a primary attachment fails. The secondary attachment must be approved by an official body such as TÜV as a safety attachment for the weight that it secures, must comply with EN 60598-2-17 Section 17.6.6 or BGV C1 / DGUV 17, and must be capable of bearing a static suspended load at least six times the weight of the fixture (or more if required by locally applicable regulations).

Do not operate the product with missing or damaged covers. Check that all external covers and rigging hardware are securely fastened.

In the event of an operating problem, stop using the product immediately and disconnect it from power. Do not attempt to use a machine that appears to be damaged or that does not have fluid.

Block access below the work area and work from a stable platform whenever installing, setting, adjusting, filling, or cleaning the product.

Martin products are not intended for use by persons (including children) with reduced physical, sensory, or mental capabilities, or lack of experience and knowledge, unless they have been given supervision or instruction concerning use of the product by a person responsible for their safety. Children must be supervised to ensure that they do not play with the product.

Do not install atmospheric effect machines directly overhead in areas where people may be present.

Atmospheric effects can cause condensation. Do not point the output from an atmospheric effect machine at a smooth floor. Floors and surfaces may become slippery. Check these frequently and wipe dry as necessary to avoid any danger of slipping.

Flashing light can trigger epileptic seizures in flicker-sensitive persons. Provide notice when strobe lighting is in use at the entrance(s) to the venue. Mount flashing lights as high above head height as practicable and avoid extended periods of continuous flashing, particularly at 10 to 20 flashes per second. Stop lights from flashing immediately if a person has an epileptic seizure.

Atmospheric effect fluid contains food-grade glycols in solution but may present health risks if swallowed. Do not drink it. Store it securely. If eye contact occurs, rinse with water. If a person swallows fluid, give water and obtain medical advice.

Protection from breathing problems



An atmospheric effect machine can operate safely only with the fluid it is designed for. Use only fluid that is specified in the product specifications and user guide for use with the product. Other fluids may cause the release of toxic gases, presenting a severe health hazard. You will also probably cause damage to the product that is not covered under the product's warranty.

Do not create dense fog in confined or poorly ventilated areas. Ensure at least 2 m (6.6 ft.) visibility in areas where fog is being produced.

Do not expose people with health problems (including allergic and/or respiratory conditions such as asthma) to atmospheric effects including fog or haze.

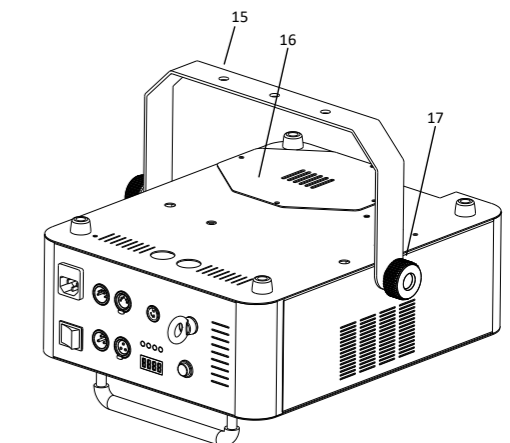
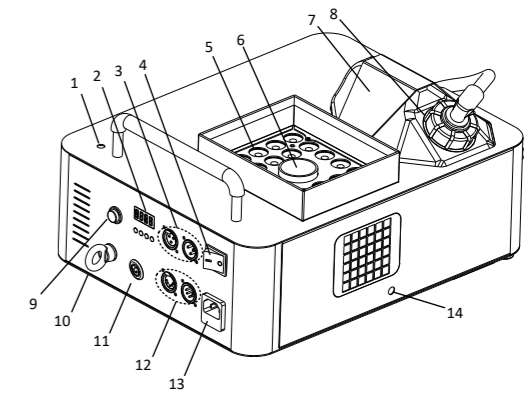
Do not point the product's output directly at a person's face or at face height.

Protection from eye injury



Do not stare at an operating LED. Do not look at the light output with magnifiers, telescopes, binoculars or similar optical instruments that may concentrate the light. Eye injury may result.

Product overview



- | | |
|-----------------------------|--|
| 1. Eyebolt attachment point | 9. Pushbutton control |
| 2. User interface | 10. Safety cable attachment point |
| 3. 3-pin XLR DMX sockets | 11. Remote control socket |
| 4. Power switch | 12. 5-pin XLR DMX sockets |
| 5. LEDs | 13. AC mains power input / fuse holder |
| 6. Output nozzle | 14. Bracket attachment point |
| 7. Fluid tank bracket | 15. Mounting bracket |
| 8. Fluid tank filler cap | 16. Fluid tank well cover |
| | 17. Mounting bracket adjustment wheel |

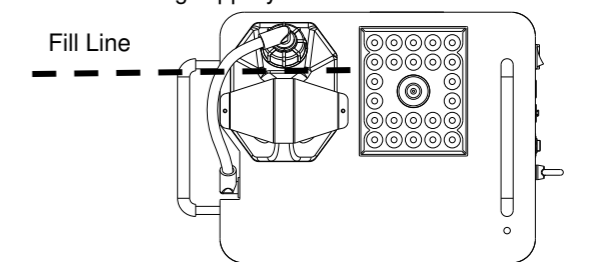
Physical installation



The machine is designed for indoor use only and must be used in a dry location with adequate ventilation. Observe all precautions in the Safety Information section of this guide.

Surface installation

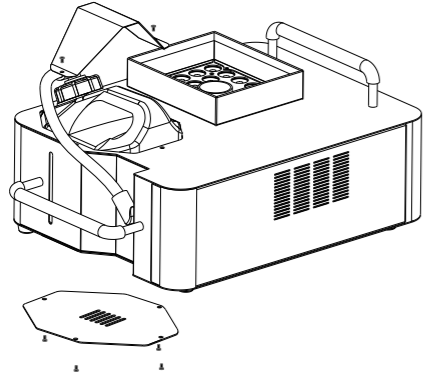
The THRILL Vertical Fogger is designed to be placed on a floor or stable surface with the output nozzle vertical. The machine may also be placed on its side as shown below for horizontal output. The filler cap must be above the fluid level to prevent leakage, as shown below. If using horizontally, do not place the output at eye level. Take extra precautions to prevent surfaces from becoming slippery.



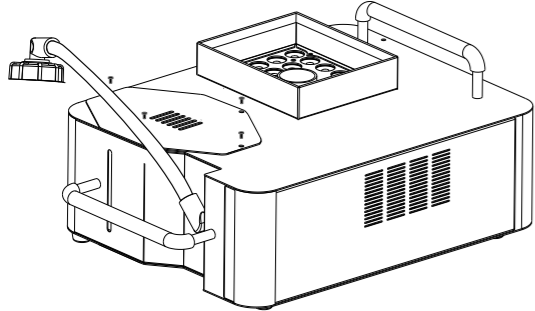
Changing fluid tank orientation

Before mounting the machine on a truss with the output nozzle pointing down, the fluid tank must be flipped as follows:

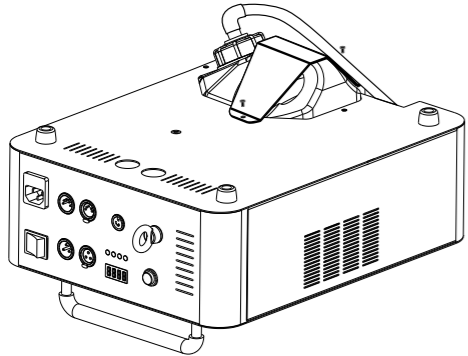
1. Disconnect the machine from AC mains power and allow to cool.
2. Remove the fluid tank bracket from the top and remove the fluid tank well cover from the bottom.



3. Unscrew the filler cap and remove the fluid tank.
4. Fasten the fluid tank well cover to the top of the machine.



5. Turn the machine upside down and place the fluid tank in the well as shown. Screw on the filler cap.
6. Fasten the fluid tank bracket to the bottom of the machine.



Mounting the effect machine on a truss

If the fluid tank is installed as shown above, the machine can be clamped to a truss or similar structure with the nozzle pointing down. It may be tilted up to 45° if the fluid tank is partially filled. Overfilling or steeper tilting may cause fluid leakage.

Use a half-coupler clamp (shown to right) that completely encircles the truss chord.

To clamp the effect machine to a truss:

1. Install the mounting bracket on the machine and secure with both bracket hand wheels and included washers.
2. Check that the rigging structure can support at least 10 times the weight of all equipment to be installed on it and complies with locally applicable regulations.
3. Block access under the work area.
4. Bolt a rigging clamp securely to the mounting bracket. The bolt used must be M12 (or ½”), grade 8.8 steel minimum. It must pass through both mounting bracket legs and be fastened with a self-locking nut.
5. Working from a stable platform, hang the effect machine on



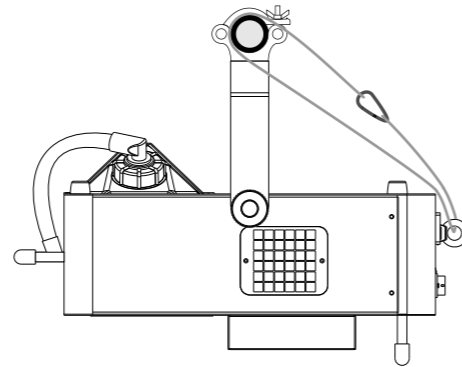
6. Secure the machine with a safety cable as directed in next section.

Securing with a safety cable

Secure the THRILL Vertical Fogger with a safety cable or other secondary attachment that is approved for the weight of the machine so that the safety cable will hold the machine if a primary attachment fails.

Screw the supplied eyebolt securely into one of the threaded sockets on the top or side. Clip the safety cable to the eyebolt, loop it around a secure anchoring point, and secure the free end. Do not loop the safety cable around the machine's mounting bracket only, as this will leave the machine unsecured if it separates from the bracket. See illustration below.

Do not use any other eyebolt than the one supplied. Using an eyebolt with a length in excess of 15 mm (0.60 in.) may cause damage to the machine. If the eyebolt is missing, contact Martin Professional service and support for assistance.



AC power



For protection from electric shock, the machine must be grounded (earthed). The power distribution circuit must be equipped with a fuse or circuit breaker and ground-fault (earth-fault) protection.



Before connecting the machine to power, check that the AC mains supply is adequately dimensioned for the current draw of all connected devices and that the local AC mains voltage is within the range indicated on the machine's rear panel. If your AC

mains voltage is outside the specified range, do not use the machine.

To apply power, plug the AC mains power cable (included) into the AC power input socket and then to a suitable AC mains power outlet. Flip the power switch to the "I" position to turn on the machine.

Turn off the machine and disconnect from AC mains power when not in use.

Specifications

Physical

Length	455 mm (17.9 in.)
Width	311 mm (12.5 in.)
Height	199 mm (7.8 in.)
Weight, dry / filled	9.5 kg (20.9 lbs.) / 12 kg (26.5 lbs.)

Dynamic Effects

Color mixing	RGB
Color selection	36 color presets
Electronic dimming	0-100%
Strobe and pulse effects	Variable speed and action, random strobe
Electronic 'shutter' effect	Instant open and blackout
Fog	On/Off

Performance

Coverage volume	480 m ³ (17,000 ft ³) per minute
Maximum fluid consumption	60 ml per minute
Maximum operating time at full output	30 seconds
Ready time	8 minutes

Control and Programming

Control options	DMX, 4-channel wireless remote control, pushbutton on/off
Control parameters with wireless remote	On/off operation
Control parameters with DMX	Full-featured DMX channels
User interface	Control panel with LED display
DMX compliance	ANSI E1.11 - USITT DMX512-A

Optics

Light source	21 x 3 W LEDs (7 each R,G,B)
Minimum LED lifetime	30 000 hours (to >70% luminous output) *

*Figure obtained under manufacturer's test conditions

Construction

Housing	Steel
Color	Black
Heat exchanger	1400 W, thermally protected
Fluid pump	Oscillating piston, high pressure
Fluid management	Fluid out sensing, sight glass
Fluid reservoir	2.5 l, removable
Hanging bracket	Integrated adjustable yoke
Safety attachment points	2 threaded inserts, front/side (M8 eyebolt)
Wireless remote control unit (included)	4-channel, 30m (100 ft.) range

Installation

Mounting	Standing vertical/horizontal or hanging
Orientation	Any
Mounting points	Bracket for single/double rigging clamp, M12 or ½”
Clearance around machine	600 mm (24 in.)

Connections

AC Power	IEC male inlet, C14
DMX	3-pin and 5-pin locking XLR
Wireless remote receiver	DIN 41524, 5-pin, 45°, 180°, inlet

Electrical

EU model

AC power	220-240 V nominal, 50/60 Hz
Main fuse	F 8 AL, 250 V
Typical power and current at 220 V	1280 W, 5.8 A*
Typical power and current at 240 V	1520 W, 6.3 A*

US model

AC power	100-120 V nominal, 50/60 Hz
Main fuse	F 15 A, 250 V
Typical power and current at 100 V	980 W, 9.8 A*
Typical power and current at 120 V	1400 W, 11.6 A*

*Measured at nominal voltage. Allow for a deviation of +/- 10%.

Thermal

Maximum ambient temperature (T _a max.)	40° C (104° F)
Minimum ambient temperature (T _a min.)	5° C (41° F)
Exterior surface temperature, steady state	50° C (122° F)
Max. nozzle temperature	300°C (572° F)

Approvals

EU RED	EN 60335, EN 60598-2-17, EN 62471, EN 62479, EN 62493, EN 300220-1, EN 300220-2, EN301489-1, EN 301489-3
US EMC	CFR Title 47 Part 15 Class B
Canadian EMC	ICES-003 Class B
Australia/NZ (pending)	RCM



Included Items

Fluid Reservoir, 2.5 l	
Hanging bracket and hardware	
M8x15 mm safety eye-bolt	
Power cable, EU, 10 A, IEC C13, molded Schuko plug, 1.2 m (4 ft.)	
Power cable, US, 10 A, IEC C13, molded NEMA 5-15P, 1.2 m (4 ft.)	
Wireless transmitter, 4-channel	P/N 50480853
Wireless receiver, Vertical Fogger, black	
Battery for wireless transmitter, 12 V, A23	

Accessories

Approved Fluids

RUSH & THRILL Fog Fluid
Martin Pro-Clean and Storage Fluid

Approved Discontinued Fluids

Regular DJ Fluid (DJ)
RUSH Fog Fluid
RUSH ELX Smoke Fluid
Martin Pro Clean Supreme

Installation Hardware

Half-coupler clamp	P/N 91602005
Safety cable, SWL 60 kg (132 lb.), BGV C1/ DGUV 17, black	P/N 91604006

Ordering Information

THRILL Vertical Fogger, EU	P/N 92215402
THRILL Vertical Fogger, US	P/N 92215403

Specifications are subject to change without notice. For latest product specifications, see www.martin.com.

CAUTION! The wireless controller is a radio transmitter and receiver operating at 433MHz, and the internal antenna sends out and receives radio frequency (RF) energy. Changes or modifications made by the user could void the user's authority to operate the equipment. Personal medical devices such as pacemakers, hearing aids, etc. are shielded from RF energy, but RF energy may affect electronic equipment. The wireless controller must be kept clean and dry to avoid damage to the internal circuitry.

FCC Compliance

This device complies with Part 15, Class B, of the FCC Rules. Operation is subject to the following two conditions: (1) This device may not cause harmful interference, and (2) this device must accept any interference received, including interference that may cause undesired operation.

Canadian Interference-Causing Equipment Regulations - Règlement sur le Matériel Brouilleur du Canada

This Class B digital apparatus meets all requirements of the Canadian Interference-Causing Equipment Regulations.

Cet appareil numérique de la classe B respecte toutes les exigences du Règlement sur le Matériel Brouilleur du Canada.

Harman Professional Denmark ApS hereby declare that this product is in compliance with the essential requirements and other relevant provisions of Directive 1999/5/EC. An EU Declaration of Conformity covering this product is available on the product's Tech Docs/Support page on the Martin Professional website at www.martin.com.

Disposing of this product

THRILL by Martin® products are supplied in compliance with Directive 2014/53/EU of the European Parliament and of the Council of the European Union on WEEE (Waste Electrical and Electronic Equipment), where applicable. Help preserve the environment! Ensure that this product is recycled at the end of its life. Your supplier can give details of local arrangements for the disposal of THRILL by Martin® products.

Information subject to change without notice. **HARMAN Professional Denmark ApS disclaims liability for any injury, damage, direct or indirect loss, consequential or economic loss or any other loss occasioned by the use of, inability to use or reliance on the information contained in this document.**

©2017 HARMAN Professional Denmark ApS. All rights reserved. Martin® is a trademark of HARMAN Professional Denmark ApS registered in the United States and/or other countries. Features, specifications and appearance are subject to change without notice.

HARMAN Professional Denmark ApS
Olof Palmes Allé 18 • 8200 Aarhus N • Denmark
www.martin.com

Document revision: C